

**Applications:**

- Cereal
- Coffee/Tea
- Confectionery
- Pasta
- Pet Foods
- Salt/Spices
- Snack Foods/Nuts
- Ammunition
- Batteries
- Carbon Black
- Catalyst
- Chemical
- Fertilizer
- Glass Cullet
- Metal Powders

**Features & Benefits:**



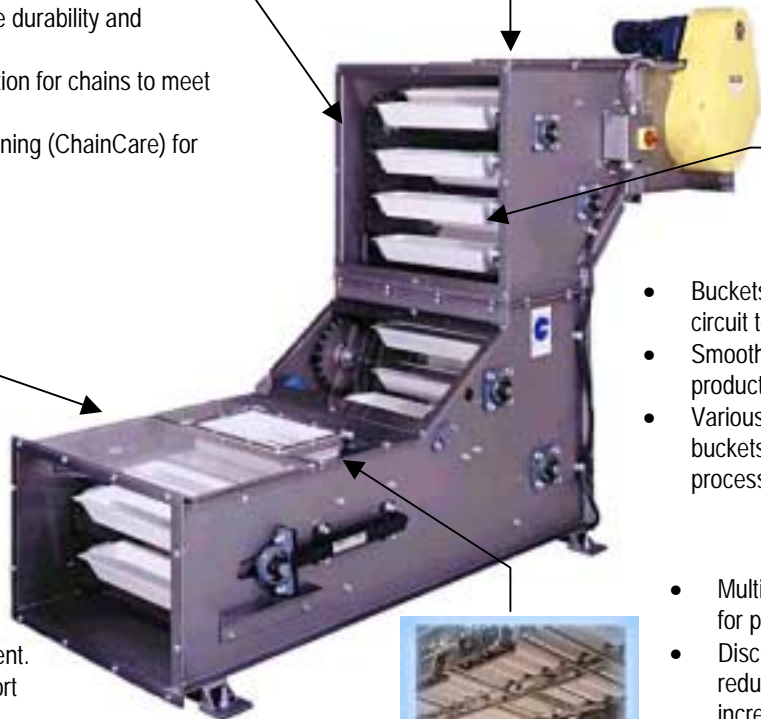
- Heavy duty chains for long-life durability and reliability.
- Various materials of construction for chains to meet specific process applications.
- Optional automatic chain cleaning (ChainCare) for maximum cleanliness.



- Robust unit construction for durability and easy installation.
- Clean-in-place capabilities for maximum cleanliness
- Multiple cover options to meet specific application needs and insure safety.



- State-of-the-art testing facility that allows customers to actually test their product in use with equipment.
- A skilled engineering and sales support staff to insure customer satisfaction.
- A strong service organization for post sales support and spare parts.



- Buckets remain upright throughout circuit to insure product integrity.
- Smooth bucket surfaces eliminate product trap areas.
- Various materials of construction for buckets are available to meet specific process requirements.



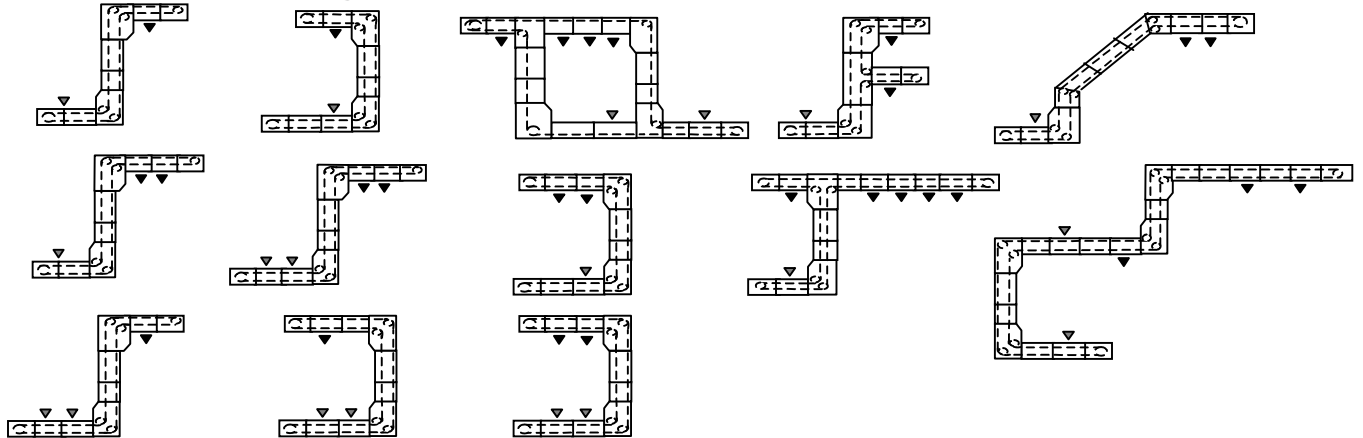
- Multiple feed inlets and discharge points for production capabilities.
- Discharges on lower run of elevator reducing product free-fall drop and increasing product integrity.
- Durable, yet gentle handling, of customer's product.

**Tough, Gentle, Clean**

**Gough Econ, Inc.**

P.O. Box 668583, Charlotte, NC 28266-8583  
 Phone: 800.264-6844 Fax: 704.392.8706  
 E-Mail: [sales@goughecon.com](mailto:sales@goughecon.com)  
 Website: [www.goughecon.com](http://www.goughecon.com)  
 Form: swinglink.doc

**Typical Circuit Configurations:**



**Typical Capacity Chart:**

Speed (FPM)	BUCKET SIZE									
	S-SERIES		M-SERIES					L-SERIES		
	9" Wide	18" Wide	9" Wide	12" Wide	18" Wide	24" Wide	36" Wide	36" Wide	48" Wide	
20	75	145	122	173	267	350	492	801	1047	
22	82	160	134	190	294	385	542	881	1152	
24	90	175	146	207	320	420	591	962	1256	
26	97	189	158	225	347	456	640	1042	1361	
28	105	204	171	242	374	491	689	1122	1466	
30	112	218	183	259	400	526	739	1202	1570	
32	120	233	195	276	427	561	788	1282	1675	
34	127	247	207	294	454	596	837	1362	1780	
36	135	262	219	311	480	631	886	1442	1884	
38	142	276	232	328	507	666	936	1523	1989	
40	150	291	244	346	534	701	985	1603	2094	
42	157	305	256	363	560	736	1034	1683	2198	
44	165	320	268	380	587	771	1083	1763	2303	
46	172	335	280	397	614	806	1133	1843	2408	
48	180	349	293	415	641	841	1182	1923	2513	
<b>50</b>	<b>187</b>	<b>364</b>	<b>305</b>	<b>432</b>	<b>667</b>	<b>876</b>	<b>1231</b>	<b>2003</b>	<b>2617</b>	
52	195	378	317	449	694	911	1280	2084	2722	
54	202	393	329	467	721	946	1330	2164	2827	
56	210	407	341	484	747	981	1379	2244	2931	
58	217	422	354	501	774	1016	1428	2324	3036	
60	225	436	366	518	801	1051	1477	2404	3141	

1. Based on 60% fill. Throughput is defined as cubic feet per hour.

**Tough, Gentle, Clean**

**Gough Econ, Inc.**

P.O. Box 668583, Charlotte, NC 28266-8583  
 Phone: 800.264-6844 Fax: 704.392.8706  
 E-Mail: [sales@goughecon.com](mailto:sales@goughecon.com)  
 Website: [www.goughecon.com](http://www.goughecon.com)  
 Form: swinglink.doc



## Swinglink™ Bucket Elevators

### Typical Engineering Data:

#### Construction:

**Tubular**, Open folded construction or totally enclosed designs available

*Materials of Construction:* 11 gauge folded steel side panels, with 14 gauge steel, Lexan stainless steel cover panels available.

All elevators are covered up to 7' for safety purposes.

#### Bucket Design:

*Sizes:* "S" Series: 6", 9", 12", 18" wide  
"M" Series: 9", 12", 18", 24", 30", 36" wide  
"L" Series: 18", 24", 30", 36", 42", 48" wide

*Pitch:* "S" Series: 6" centers  
"M" Series: 9" centers  
"L" Series: 12" centers

*Materials of Construction:* Carbon steel, stainless steel or polycarbonate as required. (Note: 6" bucket for S Series is not available in plastic.)  
Bucket pins: Stainless steel type 303.

*Tipping mechanism:* Individually replaceable "teardrop" and/or "t" cam. 360° rotations.

#### Chain Design:

"S" Series: C.S. – 1.5" pitch  
S.S – 1.5" pitch  
Plastic – 1.5" pitch  
"M" Series: C.S. – 3" pitch  
S.S – 3" pitch,  
Plastic – 3" pitch  
"L" Series: C.S. – 3" pitch  
S.S – 3" pitch  
Plastic – 3" pitch

*Materials of Construction:* Acetyl plastic, carbon steel or stainless steel available.

#### Sprocket & Shaft Design:

Easy removable sprockets made from either steel (for steel chains) or a polymeric compound (for plastic chains).

#### Sprocket/shaft bearing:

Sealed flange bearing

#### Lubrication:

Lubrication required on CS & SS chains. (Lubrication used depends on application)  
No lubrication required on plastic chain.

#### Temperature:

-22 °F (-30 °C) up to 230 °F (110 °C)  
120 °F highest recommended temperature for plastic buckets.

#### Finish:

Steel-It™ air dry polyurethane

#### In Feed Options:

Controlled in feed recommended.  
Multiple in feed option available.

#### Discharge Options:

"Over the end" discharge.  
Single or multiple discharge(s) anywhere in circuit available.

#### Drives:

Drive HP, voltage, etc dependent upon application. Motor drives into a gearbox, which is then transferred, via transmission chain and sprockets. A torque limiter provides protection to elevator main chains and components.

**Tough, Gentle, Clean**

### Gough Econ, Inc.

P.O. Box 668583, Charlotte, NC 28266-8583

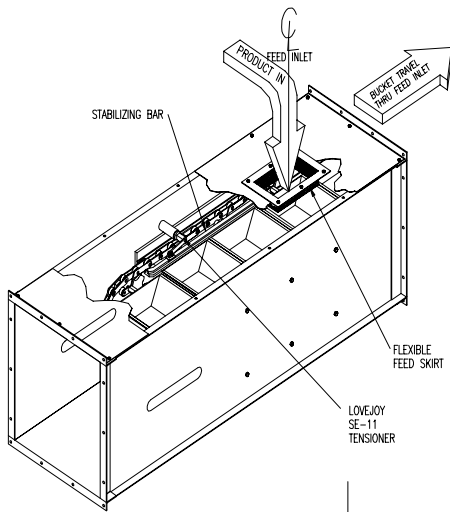
Phone: 800.264-6844 Fax: 704.392.8706

E-Mail: [sales@goughecon.com](mailto:sales@goughecon.com)

Website: [www.goughecon.com](http://www.goughecon.com)

Form: swinglink.doc

**Typical Operating Description:**

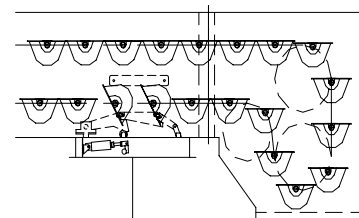
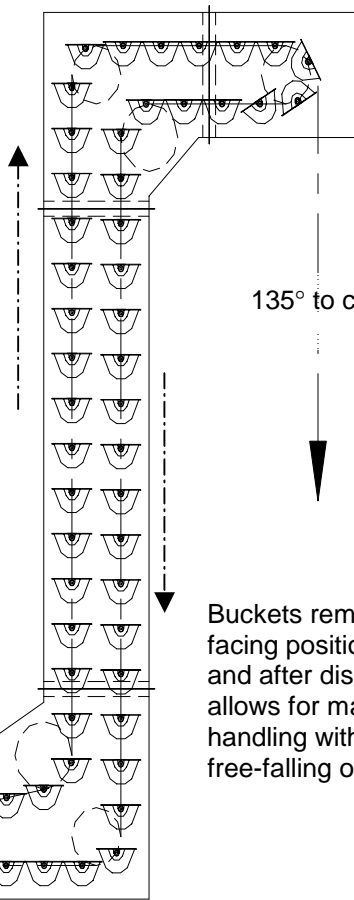


Standard design provides for in feed on top "row" of buckets; however, other in feed designs are available.

Multiple in feed options are available.

Over the end discharge is available

Single or multiple discharges anywhere in circuit are available.



135° to complete 360° rotation as required.

Buckets remain in upward facing position while loaded and after discharge. This allows for maximum gentle handling without product free-falling out of buckets.

Buckets overlap when in the horizontal position to insure that there is no product spillage during loading of product into buckets.

**Tough, Gentle, Clean**

**Gough Econ, Inc.**

P.O. Box 668583, Charlotte, NC 28266-8583

Phone: 800.264-6844 Fax: 704.392.8706

E-Mail: [sales@goughecon.com](mailto:sales@goughecon.com)

Website: [www.goughecon.com](http://www.goughecon.com)

Form: swinglink.doc