

Features & Benefits:

Diversity:

To compliment Gough's range of linear vibrating screens, this circular screen adds a secondary range. Units are available from 18"-72" diameters depending on application.

Flexibility:

Applied typically when space is restricted below a silo or bin and a primary scalping or circular action is required.

Gentle Handling:

Provides the absolute minimum vibration transfer insuring the gentlest handling of the product.

Easy Installation:

No major foundations are required; therefore installation is easy and inexpensive.

Reliability:

Because Gough designs its equipment to handle the specific application – it has year after year reliability.



Typical liquid/solid separation. Note the way in which the liquid is collected into a receiving vessel and then pumped away.

Gough circular screens are powered by vibratory motor. Units are best applied where space is restricted or the customer's process would benefit from a circular action for separation.



The simple design has 2 vibratory motors powering the unit and quick release handles to remove and clean mesh for sanitary operation.

Tough, Gentle, Clean

Gough Econ, Inc.

P.O. Box 668583, Charlotte, NC 28266-8583
Phone: 800.264-6844 Fax: 704.392.8706

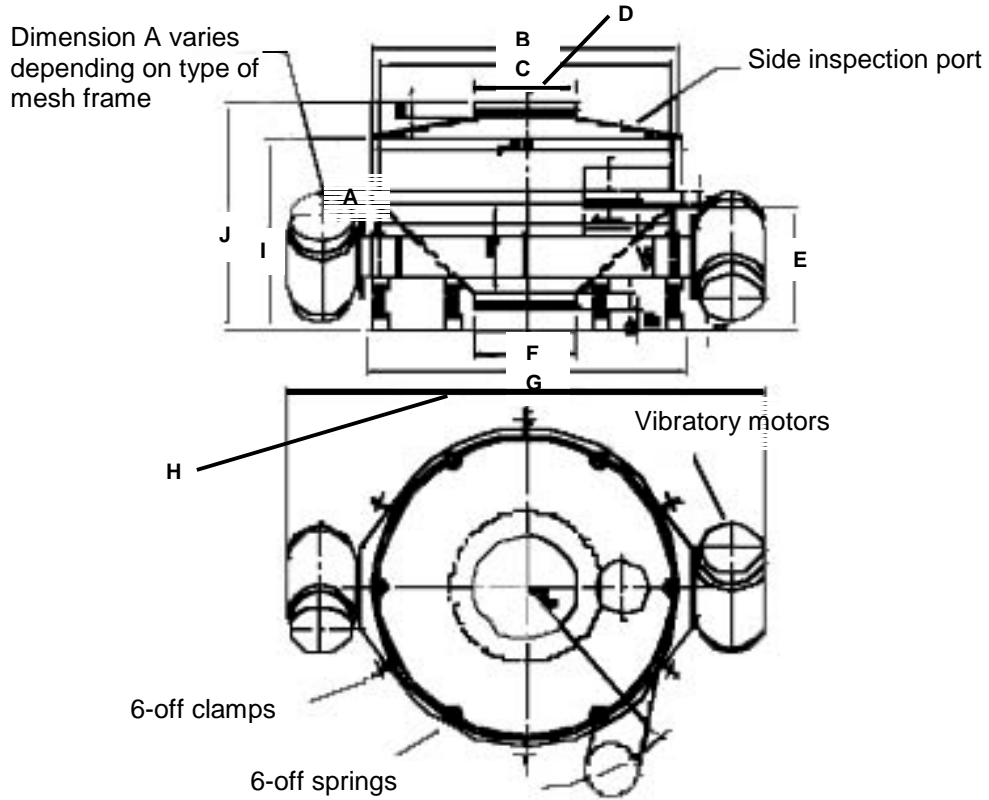
E-Mail: sales@goughecon.com

Website: www.goughecon.com

Form: vibraflo.doc

Rev 0

Dimensional Data:



Dimensions (Inches)

A _____
 B _____
 C _____
 D _____

E _____
 F _____
 G _____

H _____
 I _____
 J _____

Tough, Gentle, Clean

Gough Econ, Inc.
 P.O. Box 668583, Charlotte, NC 28266-8583
 Phone: 800.264-6844 Fax: 704.392.8706
 E-Mail: sales@goughecon.com
 Website: www.goughecon.com
 Form: vibraflo.doc Rev 0